

USER MANUAL MANUALE D'USO

BM 3804

- DXT 3000 DESK-TOP PAGING MICROPHONE
- BASE MICROFONICA DA TAVOLO PER SISTEMA DXT 3000

BE 3806

- ADDITIONAL KEYBOARD FOR BM 3804 PAGING MICROPHONES
- TASTIERA ADDIZIONALE PER BASE MICROFONICA BM 3804

BM 3804FM

- DXT 3000 FIREMEN'S WALL-MOUNTED PAGING MICROPHONE
- BM 3804 IN VERSIONE PER VIGILI DEL FUOCO (CON CASSETTA DA PARETE)



**ENGLISH**

SAFETY PRECAUTIONS	4
DESCRIPTION	6
CONNECTION	7
BLOCK DIAGRAMS	13
BM 3804 – FRONT PANEL	15
BE 3806 ADDITIONAL KEYBOARD – FRONT PANEL	17
USE	18
BM 3804FM – FIREMEN'S PAGING MICROPHONE	19
SPECIFICATIONS	20

ITALIANO

AVVERTENZE PER LA SICUREZZA	22
DESCRIZIONE	24
COLLEGAMENTO	25
SCHEMI A BLOCCHI	31
BM 3804 – PANNELLO FRONTALE	33
PULSANTIERA ADDIZIONALE BE 3806 – PANNELLO FRONTALE	35
UTILIZZO	36
BM 3804FM – CONSOLE D'EMERGENZA PER VIGILI DEL FUOCO	37
DATI TECNICI	38

**IMPORTANT NOTES**

Before connecting and using this paging microphone, please read this instruction manual carefully and keep it on hand for future reference. The manual is to be considered an integral part of this product and must accompany it when changing ownership as a reference for correct installation and use as well as for the safety precautions. RCF S.p.A. will not assume any responsibility for the incorrect installation and / or use of this product.

SAFETY PRECAUTIONS

NOTE: according to EN 54-16 standard, paging microphones shall be only accessible by personnel having a specific responsibility for safety and who are trained and authorized to operate in the following conditions: quiescent, voice alarm, fault warning and disablement.

1. All the precautions, in particular the safety ones, must be read with special attention, as they provide important information.
2. Make sure all connections have been made correctly before switching all devices on.
Do not connect / disconnect paging microphones when the system is operating.
3. Protect paging microphone cables from damage and assure they are positioned where these cannot be stepped on or crushed by objects.
4. Do not put the paging microphone into water (or another liquid), do not throw it.
5. Never attempt to carry out any operations, modifications or repairs.
If the paging microphone does not work properly, contact your authorized service centre.
6. Should the paging microphone emit any strange smell or even smoke, turn the audio system off immediately and disconnect it.
7. **RCF S.P.A.** strongly recommends the sound system installation is only made by professional qualified installers (or specialised firms), who can certify it according to the regulations in force.
The entire audio system must comply with the current standards and regulations regarding electrical systems.
8. Mechanical and electrical factors need to be considered when installing a professional audio system (in addition to those which are strictly acoustic, such as sound pressure, angles of coverage, frequency response, etc.).
9. Do not point the microphone at near loudspeakers, in order to avoid feedback.

IMPORTANT NOTES

10. Hearing loss

Exposure to high sound levels can cause permanent hearing loss. The acoustic pressure level that leads to hearing loss is different from person to person and depends on the duration of exposure.

To prevent potentially dangerous exposure to high levels of acoustic pressure, anyone who is exposed to these levels should use adequate protection devices. When a transducer capable of producing high sound levels is being used, it is necessary to wear ear plugs or protective earphones.

11. To prevent inductive effects from causing hum, noise and a bad system operating, paging microphone cables should not be laid together with other electric cables (mains) and loudspeaker lines.

12. Keep the paging microphone far from any excessive heat source.

13. Do not use solvents, alcohol, benzene or other volatile substances for cleaning the external parts. Just use a dry cloth.

RCF S.P.A. THANKS YOU FOR PURCHASING THIS PRODUCT, WHICH HAS BEEN DESIGNED TO GUARANTEE RELIABILITY AND HIGH PERFORMANCES.

DESCRIPTION

BM 3804 is a desktop paging microphone exclusively dedicated for the RCF DXT 3000 system.

It can be directly connected to the MX 3250 / MX 3500 main unit through a four-pair J-type fire-rated cable.

Up to four BM 3804 paging microphones (interlocked one another) can be linked (daisy-chained) to the line.

BM 3804 front panel includes the following buttons:

- TWO FOR ZONE SELECTION (FIRST AND SECOND ONLY)
- PTT ('PUSH TO TALK')
- GEN CALL (SYSTEM GENERAL CALL)
- CHIME (ON / OFF)
- EVAC MESSAGE SELECTION
- ALERT MESSAGE SELECTION, THIS BUTTON ALSO ALLOWS TO MUTE THE BUZZER (WHEN A FAULT IS DETECTED)
- A PROTECTED BISTABLE EMERGENCY BUTTON (WITH RED LIGHT) TO START PLAYING THE EVACUATION / ALERT MESSAGE IN ALL ZONES.

The system status is indicated by a LED bar.

Every BM 3804 paging microphone can be expanded with an additional BE 3806 keyboard, which has six buttons for the six-zone selection of a complete MX 3250 / MX 3500 main unit (with three amplifier boards).

If the main unit only has two or four zones, the unused zone buttons of the BE 3806 keyboard can be removed and its label (with silkscreen) can be replaced.

If the DXT 3000 system is made up of several MX 3250 / MX 3500 main units (up to max. eight: a 'master' unit plus seven 'slave' units) linked one another through IE 3008 'Interlink' boards, it is possible to add up to eight BE 3806 keyboards (one for each main unit to be controlled) to each BM 3804 paging microphone.

The first BM 3804 paging microphone (of the line) is for emergency purpose and directly powered by the MX 3250 / MX 3500 main unit, while the second, the third and the fourth need 24 V dc adapters (500 mA, i.e. RCF AC AD 2405, optional).

Other features:

- CASING IN DIE-CAST METAL
- PREAMPLIFIED CARDIOID HI-QUALITY MICROPHONE, WITH FLEXIBLE 445 mm LONG
- COMPREHENSIVE SELF-DIAGNOSTICS (EN 54-16)
- CONNECTION CABLE INCLUDED (5 m, WITH RJ 45).

IMPORTANT NOTE:

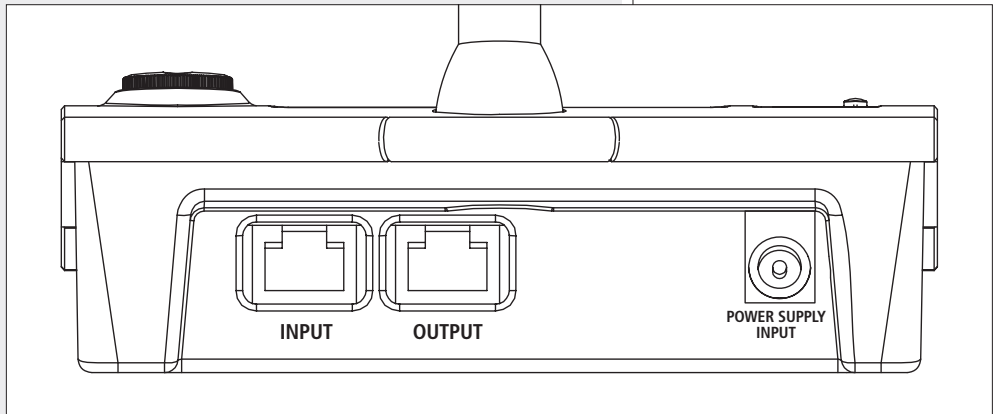
As the first paging microphone is for emergency purposes, this shall be placed in premises with access restricted to authorized personnel only.

BM 3804FM is the 'Firemen' paging microphone that works in the same way of the BM 3804 model, but with the following differences:

- THE PAGING MICROPHONE IS INSIDE A WALL-MOUNTED METALLIC BOX (COLOUR: RED, RAL 3000) WITH GLASS.
- A HANDHELD MICROPHONE WITH MOMENTARY SWITCH (INSTEAD OF A GOOSENECK MIC.).
- THE HANDHELD MICROPHONE MOMENTARY SWITCH HAS THE SAME FUNCTION OF THE PTT BUTTON **3**.

CONNECTION

BM 3804 – REAR PANEL

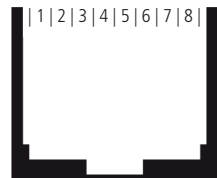


INPUT : RJ 45 port to be linked to either the MX 3250 / MX 3500 main unit **PAGING IN** or the previous BM 3804 paging microphone **OUTPUT**.

OUTPUT : RJ 45 port to be linked to the next BM 3804 paging microphone **INPUT**.

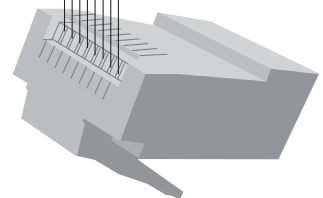
PIN	INPUT	PIN	OUTPUT
1	Audio signal (+, hot)	1	Audio signal (+, hot)
2	Audio signal (-, cold)	2	Audio signal (-, cold)
3	Power supply	3	(not used)
4	Ground	4	Ground
5	Ground	5	Ground
6	Ground	6	(not used)
7	RS 485 A (+)	7	RS 485 A (+)
8	RS 485 B (-)	8	RS 485 B (-)

RJ 45 SOCKET

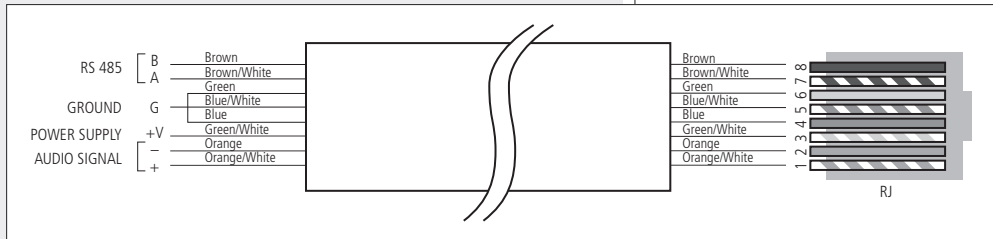


8 6 4 2 RJ 45 PLUG

7 5 3 1



CABLE TO LINK THE FIRST BM 3804 PAGING MIC. TO THE MX 3250 / MX 3500 MAIN UNIT



CORRESPONDENCE OF WIRES BETWEEN CAT 5E AND CJ 428E CABLES

PIN	DESCRIPTION	CAT 5e WIRE COLOUR	CJ 428e WIRE COLOUR
1	Audio signal (+, hot)	Orange/White	Red
2	Audio signal (-, cold)	Orange	Blue
3	Power supply	Green/White	Yellow
4	Ground	Blue	Brown
5	Ground	Blue/White	Green
6	Ground	Green	Grey
7	RS 485 A (+)	Brown/White	White
8	RS 485 B (-)	Brown	Black

POWER SUPPLY INPUT: input for the external 24 V dc adapter (500 mA, i.e. optional RCF AC AD 2405), not included; remove the cable guide by unscrewing its screw.

NOTES:

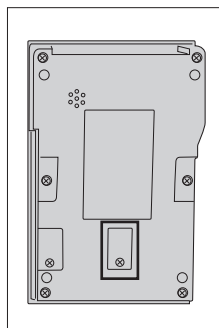
- THE FIRST BM 3804 PAGING MICROPHONE IS DIRECTLY POWERED BY THE MX 3250 / MX 3500 MAIN UNIT (THE EXTERNAL AC AD2405 ADAPTER IS NOT NECESSARY). ITS CABLE MUST NOT BE LONGER THAN 800 m (USE RCF CJ 428E CABLE).
- THE SECOND, THE THIRD AND THE FOURTH BM 3804 NEED AN AC AD2405 ADAPTER (NOT INCLUDED). THE SUM OF ALL CABLES MUST NOT BE LONGER THAN 800 m (USE RCF CJ 428E CABLE).

BM 3804 – INTERNAL DIP-SWITCH SETTINGS

WARNING: THE INTERNAL DIP-SWITCH SETTING SHALL BE CARRIED OUT ONLY BY EITHER RCF OR AN AUTHORISED SERVICE CENTRE.

NOTE: ANY SETTING CHANGE SHALL BE CARRIED OUT WHEN THE SYSTEM IS SWITCHED OFF (OR THE PAGING MICROPHONE IS DISCONNECTED).

On the BM 3804 rear side, remove the central blank panel to access the six dip-switches.



DIP-SWITCH	FUNCTION	NOTES
1	ID (0)	Digital address setting (see the next table).
2	ID (1)	Digital address setting (see the next table).
3	ID (2)	Not used; leave it OFF.
4	EMERGENCY	This applies to the first paging microphone only. If set to ON, the paging microphone can be used to start playing either the evacuation (EVAC button 13) or the alert message (ALERT button 7). If set to OFF, emergency functions are disabled.
5	TEST	Service / maintenance function: leave it OFF.
6	---	Not used; leave it OFF.

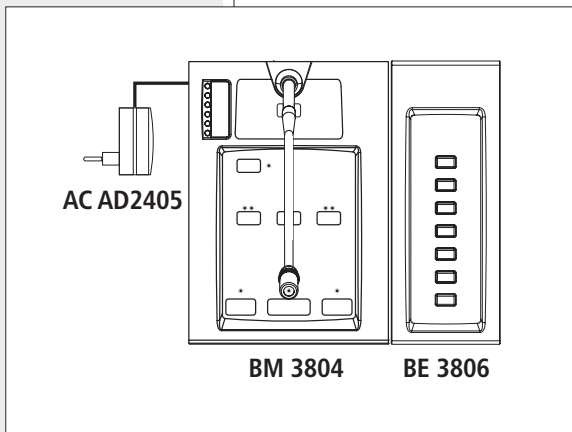
DIP 1	DIP 2	DIGITAL ADDRESS	NOTES
off	off	0	First BM 3804
ON	off	1	Second BM 3804
off	ON	2	Third BM 3804
ON	ON	3	Fourth BM 3804

NOTE: AFTER SETTING DIGITAL ADDRESSES PROPERLY AND REBOOTING THE SYSTEM, IT WILL BE NECESSARY TO SELECT (IN THE MX 3250 / MX 3500 MAIN UNIT) THE **DISCOVERY** FUNCTION (AUTOMATIC DETECTION OF ALL PAGING MICROPHONES LINKED TO THE SYSTEM).



BE 3806 ADDITIONAL KEYBOARDS

If the DXT 3000 system only has a single MX 3250 / MX 3500 main unit, each BM 3804 paging microphone can be expanded with only one BE 3806 additional keyboard having six buttons, which can be used to select each single zone (1 to 6, if available).

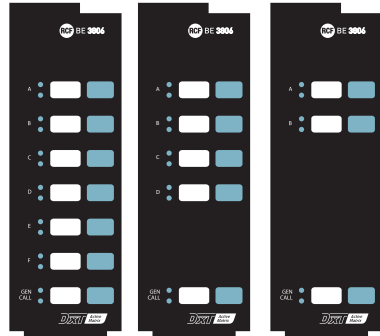


NOTES:

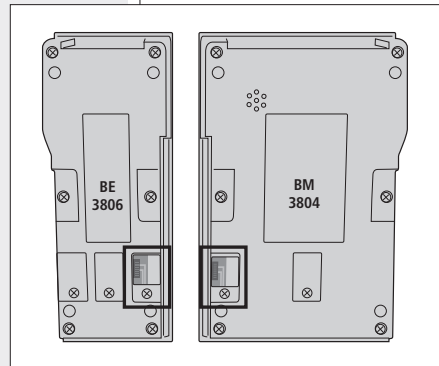
- THE FIRST BM 3804 PAGING MICROPHONE IS DIRECTLY POWERED BY THE MX 3250 / MX 3500 MAIN UNIT (THE EXTERNAL AC AD2405 ADAPTER IS NOT NECESSARY). ITS CABLE MUST NOT BE LONGER THAN 800 m (USE RCF CJ 428E CABLE).
- THE SECOND, THE THIRD AND THE FOURTH BM 3804 NEED AN AC AD2405 ADAPTER (NOT INCLUDED). THE SUM OF ALL CABLES MUST NOT BE LONGER THAN 800 m (USE RCF CJ 428E CABLE).

- If the main unit only has two or four zones, the unused zone buttons of the BE 3806 keyboard can be removed and its label (with silkscreen) can be replaced. Two additional labels are included (for either four or two zones). The keyboard is initially implemented with the six-zone label.

LABELS FOR 6, 4, 2 ZONES

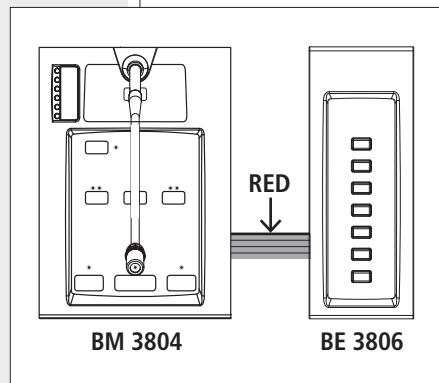


Looking at its rear side, remove both the BE 3806 right blank panel and the BM 3804 left blank panel.

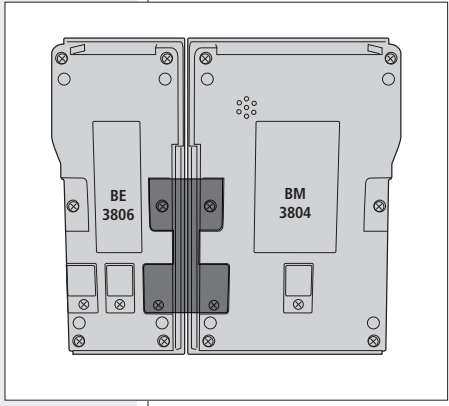


Link the BE 3806 additional keyboard to the BM 3804 paging microphone through its flat-cable connected to the two rear ports.

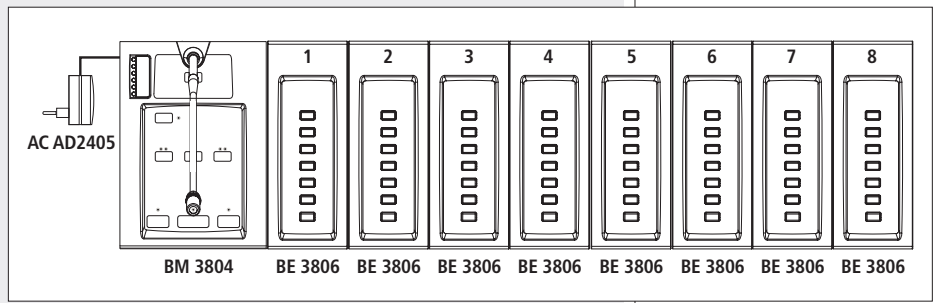
Pay attention to the flat cable right way, indicated by its red wire (see the next figure).



Fix the BE 3806 additional keyboard to the BM 3804 paging microphone by using the dedicated plate (included in the BE 3806 package) and four screws.



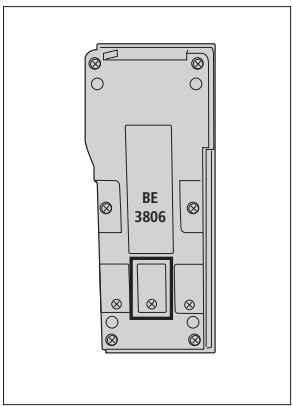
If the DXT 3000 system is made up of several MX 3250 / MX 3500 main units (up to max. eight: a 'master' unit plus seven 'slave' units) linked one another through IE 3008 'Interlink' boards, it is possible to add up to eight BE 3806 keyboards (one for each main unit to be controlled) to each BM 3804 paging microphone.



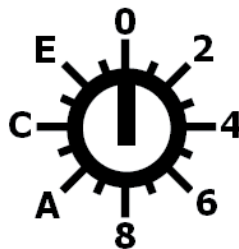
Each BE 3806 button allows to select only a single zone of the controlled MX 3250 / MX 3500 main unit. Zone groups cannot be created.

In this case, each BE 3806 keyboard must be set to an unique and correct digital address, which depends on the number of the MX 3250 / MX 3500 main unit that needs to be controlled.

Looking at the rear side of a BE 3806 keyboard, remove its central blank panel and set the digital address from 0 (the first main unit) to 7 (the last main unit) by rotating its selector.



MX 3250 MX 3500 number	BE 3806 digital address	MX 3250 MX 3500 number	BE 3806 digital address
1 (master)	0	5	4
2	1	6	5
3	2	7	6
4	3	8	7



NOTE: ANY SETTING CHANGE SHALL BE CARRIED OUT WHEN THE SYSTEM IS SWITCHED OFF (OR WHEN THE RESPECTIVE PAGING MICROPHONE IS DISCONNECTED).

IT IS NOT STRICTLY NECESSARY TO ADD MANY ADDITIONAL BE 3806 KEYBOARDS (TO A BM 3804 PAGING MICROPHONE) IF IT IS NOT REQUIRED TO CONTROL ALL THE PRESENT MX 3250 / MX 3500 MAIN UNITS.

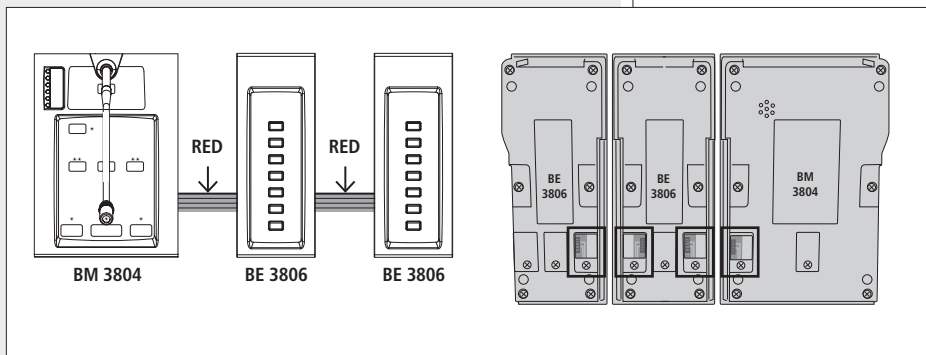
FOR INSTANCE, A PAGING MICROPHONE CAN BE PREDISPOSED TO CONTROL THE MAIN UNITS NO.1, NO.3 AND NO. 6 ONLY (BY USING THREE BE 3806 KEYBOARDS, RESPECTIVELY WITH DIGITAL ADDRESSES 0, 2 AND 5).

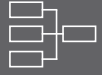
ALL THE ADDRESSES FROM 8 TO F ARE NOT USED.



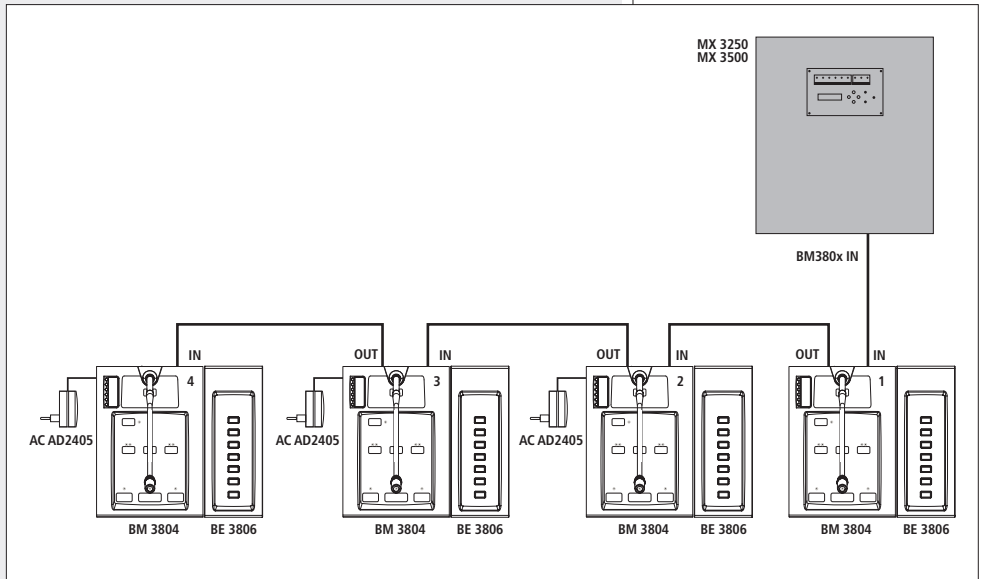
Link all BE 3806 additional keyboards one another through flat-cables connected to the rear ports (in the same way as the link to the BM 3804 paging microphone).

Pay attention to the flat cable right way, indicated by its red wire (see the next figures).





SYSTEM WITH A SINGLE MX 3250 / MX 3500 MAIN UNIT



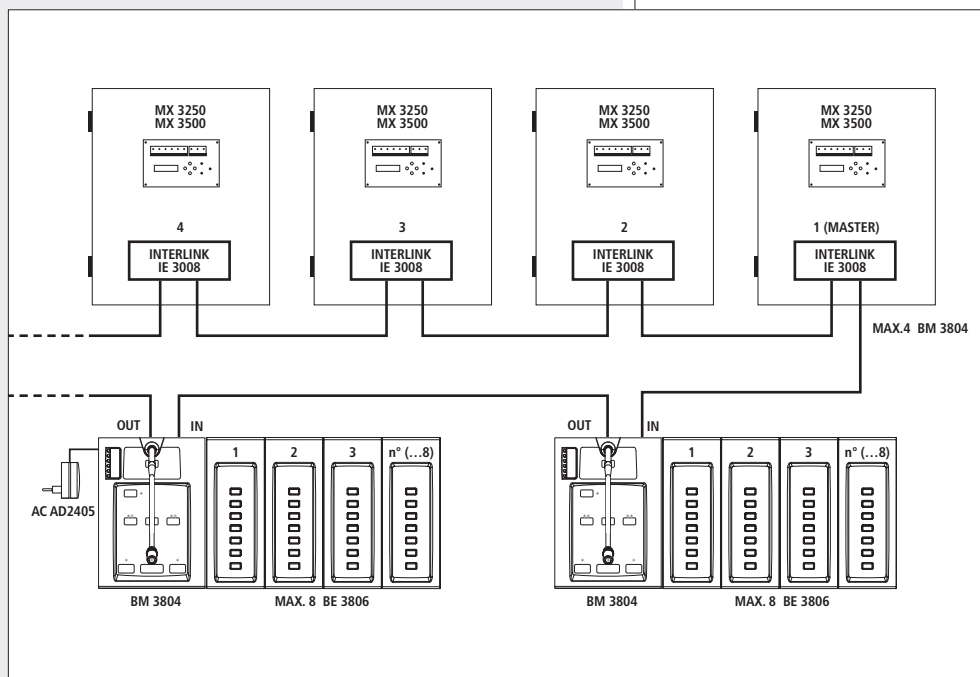
Up to four BM 3804 paging microphones (with or without BE 3806 additional keyboards) can be linked (daisy-chained) to the line connected to the **BM380x** input of the MX 3250 / MX 3500 main unit.

BM 3804 paging microphones are interlocked one another.

The second, the third and the fourth BM 3804 need an AC AD2405 adapter (not included).

The sum of all cables must not be longer than 800 m (use RCF CJ 428E cable).

SYSTEM WITH SEVERAL (MAX. 8) MX 3250 / MX 3500 MAIN UNITS



Up to four BM 3804 paging microphones (with BE 3806 additional keyboards) can be linked (daisy-chained) to the line connected to the IE 3008 'Interlink' board input of the first MX 3250 / MX 3500 main unit.
 BM 3804 paging microphones are interlocked one another.

1 CHIME button: push to toggle on/off the chime (sent before an announcement).

2 CHIME LED (green): when lit, the chime (sent before an announcement) is enabled. Push its respective button **1** to toggle on/off.

3 PTT ('Push To Talk') button: push and hold down to turn the microphone on and page the zones previously selected.

4 PTT LED (green): when lit, the microphone is turned on (by pushing the PTT button **3**).

5 GEN CALL (system general call) button: push to select all system zones (push again to cancel).

6 GEN CALL LED (green): when lit, it indicates the system general call selection (by pushing the GEN CALL button **5**).

7 ALERT / SILENCE button

ALERT function (first paging microphone only): push to select (push again to cancel) the alert status. The respective message will be sent to the selected zones as soon as the emergency button **15** is pressed.

Examples: Push in sequence ZONE A **9**, ALERT **7** and the emergency button **15** to send the alert message to the first zone only.

Push in sequence GEN CALL **5**, ALERT **7** and the emergency button **15** to send the alert message to all system zones. When the alert message playback is in progress, the ALERT / SILENCE button (if pushed once) allows to mute it (but without stopping it), then push it again to unmute.

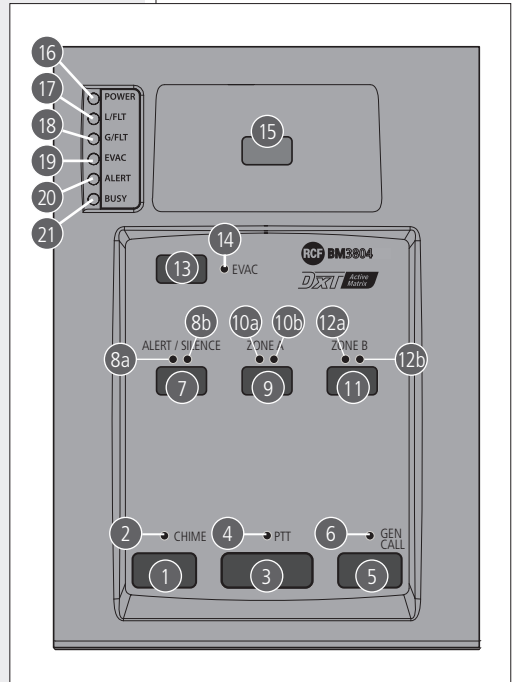
THE EVACUATION MESSAGE (SELECTABLE BY THE EVAC BUTTON **13**) HAS PRIORITY OVER THE ALERT MESSAGE.

SILENCE function: when a local fault has been detected, push it to mute the buzzer.

8a ALERT LED (green): when lit, it indicates the alert status.

8b SILENCE LED (white): it flashes when a fault is detected.

9 ZONE A button: push to select the system first zone (push again to cancel).



10a ZONE A LED (green): when lit, it indicates the selection of the first system zone.

10b ZONE A LED (yellow / red):

- WHEN LIT YELLOW, THE FIRST SYSTEM ZONE IS BUSY
- WHEN LIT RED, THE EVACUATION / ALERT MESSAGE IS CURRENTLY SENT TO THE FIRST SYSTEM ZONE.

11 ZONE B button: push to select the system second zone (push again to cancel).

12a ZONE B LED (green): when lit, it indicates the selection of the second system zone.

12b ZONE B LED (yellow / red):

- WHEN LIT YELLOW, THE SECOND SYSTEM ZONE IS BUSY
- WHEN LIT RED, THE EVACUATION / ALERT MESSAGE IS CURRENTLY SENT TO THE SECOND SYSTEM ZONE.

13 EVAC button (first paging microphone only): push to select (push again to cancel) the evacuation status. The respective message will be sent to the selected zones as soon as the emergency button **15** is pressed.

Examples: Push in sequence ZONE A **9**, EVAC **13** and the emergency button **15** to send the evacuation message to the first system zone only. Push in sequence GEN CALL **5**, EVAC **13** and the emergency button **15** to send the evacuation message to all system zones.

When the evacuation message playback is in progress, the EVAC button (if pushed once) allows to mute it (but without stopping it), then push it again to unmute.

THE EVACUATION MESSAGE HAS PRIORITY OVER THE ALERT MESSAGE.

14 LED EVAC (red): when lit, it indicates the evacuation status.

15 Protected bistable emergency button (with red light) that is working only in the first paging microphone having the emergency function enabled.

If pressed, after a few seconds, the evacuation / alert message playback starts (choose first zones and the message by pushing either the EVAC **13** or the ALERT **7** button).

16 ÷ 21 LEDs



No.	SILK SCREEN	COLOUR	INDICATION (WHEN LIT)
16	POWER	green	The paging microphone is properly powered and operating.
17	L/FLT	yellow	Detected fault in the paging microphone.
18	G/FLT	yellow	One or more faults are detected in the system.
19	EVAC	red	Evacuation message playback is in progress.
20	ALERT	red	Alert message playback is in progress.
21	BUSY	yellow	The line is engaged.



22 Zone button: push to select the respective (A-F) zone of the only (or unique) controlled MX 3250 / MX 3500 main unit (push again to cancel).

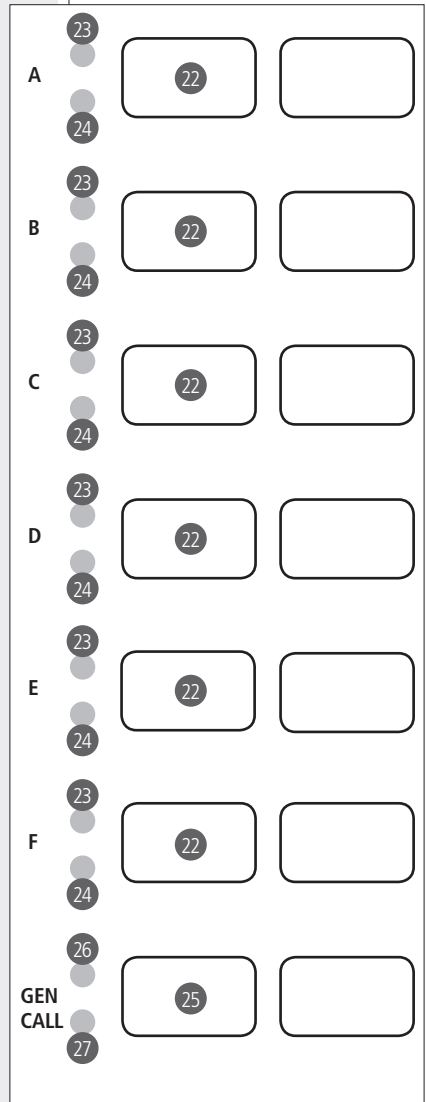
23 LED (green): when lit, it indicates the selection of the respective zone (A-F, matched to the button).

24 LED (yellow / red): when is lit yellow, the respective (A-F) zone is busy; when is lit red, the evacuation / alert message is currently sent to the respective (A-F) zone.

25 **GEN CALL** button: push to select **all zones** of the **only** (or unique) controlled MX 3250 / MX 3500 main unit (push again to cancel).

26 LED (green): when lit, it indicates the selection of **all zones** of the **only** (or unique) controlled MX 3250 / MX 3500 main unit.

27 LED (yellow / red): when is lit yellow, **all zones** of the **only** (or unique) controlled MX 3250 / MX 3500 main unit are busy; when is lit red, the evacuation / alert message is currently played.





Before using the paging microphone, choose to enable / disable the chime by pushing the CHIME button **1**.

SELECTIVE OR GENERAL CALLS

1. Make sure the line has not been already engaged (zone LEDs lit yellow or red **10b** **12b** **24**).
2. Select one or more zones by pushing their respective buttons of either the BM 3804 paging microphone **9** **11** or its BE 3806 keyboards (if present) **22**.
The corresponding LEDs **10b** **12a** / **23** turn green.
A further press of a button unchecks its respective zone.
To make a general call to one only or more MX 3250 / MX 3500 main units, push one or more GEN CALL buttons **25** of the respective BE 3806 keyboards (all LEDs **26** light up).
Push the BM 3804 GEN CALL button **5** (instead) to make a system general call (the corresponding LED **6** lights up).
3. Press and hold the PTT button **3** to turn the microphone on (the PTT LED **4** lights up).
4. After the end of the announcement, release the PTT button PTT **3**.

ACTIVATION OF THE EVACUATION / ALERT STATUS AND PLAYBACK OF THE RESPECTIVE MESSAGE

THE EMERGENCY FUNCTION OF THE BM 3804 PAGING MICROPHONE MUST BE ENABLED
(INTERNAL DIP-SWITCH NO.4 SET TO ON).


1. Select each single zone or push the GEN CALL button **5** for all system zones (or one or more GEN CALL **25** buttons of the BE 3806 keyboards).
2. Select either the evacuation (by pushing the EVAC button **13**) or the alert status (ALERT button **7**).
3. Lift the guard and push the emergency red button **15**, after a few seconds the selected message playback starts (all zone LEDs are lit red **10b** **12b** **24**).
4. To stop the message playback, deactivate (following this order):
 - a) All zone buttons or the GEN CALL buttons previously activated.
 - b) Then either the EVAC or ALERT button.
 - c) Finally, release the emergency red button and close its guard.

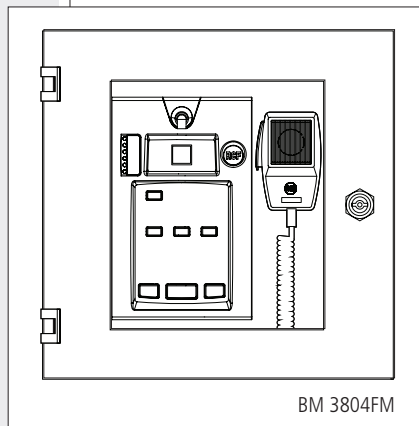


BM 3804FM – FIREMEN'S PAGING MICROPHONE



BM 3804FM is the 'Firemen' paging microphone that works in the same way of the BM 3804 model, but with the following differences:

- THE PAGING MICROPHONE IS INSIDE A WALL-MOUNTED METALLIC BOX (COLOUR: RED, RAL 3000) WITH GLASS.
- A HANDHELD MICROPHONE WITH MOMENTARY SWITCH (INSTEAD OF A GOOSENECK MIC.).
- THE HANDHELD MICROPHONE MOMENTARY SWITCH HAS THE SAME FUNCTION OF THE PTT BUTTON .

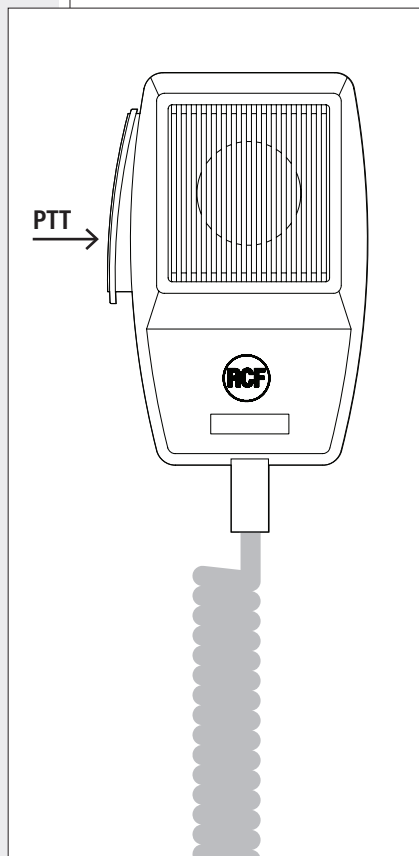


The firemen's microphone needs the emergency function. It shall be connected as first of the line and placed in a room with access restricted to authorized personnel only.

BM 3804FM shall be placed in a closed environment, within a protected area not subjected to conditions that may affect its operation, for example: moisture, salt, water infiltration, extreme temperatures, shocks, etc. .

It should be placed at a height from the floor that makes it easily accessible.

Also check the suitability of the wall and the components used for attachment (wall plugs, screws, not supplied by RCF), which must guarantee the system security over time, also considering, for example, the mechanical vibrations normally generated by transducers.



EVEN THE MODEL BM 3804FM FOR FIREMEN CAN BE IMPLEMENTED BY AN ADDITIONAL BE 3806 KEYBOARD.



THIS REQUEST SHALL BE INDICATED IN ADVANCE IN THE ORDER OR THE MODIFICATION SHALL BE CARRIED OUT LATER BY AUTHORIZED RCF PERSONNEL ONLY.



BM 3804	
Microphone type:	electret
Polar patter:	cardioid
Output impedance:	470 Ω (1 kHz)
Microphone sensitivity:	- 65 dB \pm 3 dB (0 dB=1V/ μ bar, 1 kHz)
Frequency response:	50 Hz \div 18 kHz (- 3 dB)
Power supply:	24 V dc (either MX 3250 or MX 3500 or external adapter RCF AC AD2405)
Dimensions:	128 x 39 x 203 mm (without gooseneck)
Gooseneck length:	445.5 mm
Net weight:	1.2 kg (2.7 lbs)
BE 3806	
Power supply:	though the BM 3804 paging microphone
Dimensions:	78 mm x 39 mm x 203 mm
Net weight:	0.7 kg (1.6 lbs)
BM 3804FM	
Microphone type:	dynamic
Polar patter:	omnidirectional
Output impedance:	500 Ω \pm 30% (1 kHz)
Microphone sensitivity:	- 70 dB \pm 3 dB (0 dB=1V/ μ bar, 1 kHz)
Frequency response:	300 Hz \div 6 kHz (- 3 dB)
Power supply:	24 V dc (MX 3250 / MX 3500)
Box dimensions:	360 x 360 x 129 mm
Net weight:	6.9 kg (15.2 lbs)



AVVERTENZE PER LA SICUREZZA	22
DESCRIZIONE	24
COLLEGAMENTO	25
SCHEMI A BLOCCHI	31
BM 3804 – PANNELLO FRONTALE	33
PULSANTIERA ADDIZIONALE BE 3806 – PANNELLO FRONTALE	35
UTILIZZO	36
BM 3804FM – CONSOLE D'EMERGENZA PER VIGILI DEL FUOCO	37
DATI TECNICI	38

**IMPORTANTE**

Prima di collegare ed utilizzare la base microfonica, leggere attentamente le istruzioni contenute in questo manuale, il quale è da conservare per riferimenti futuri. Il presente manuale costituisce parte integrante del prodotto e deve accompagnare quest'ultimo anche nei passaggi di proprietà, per permettere al nuovo proprietario di conoscere le modalità d'installazione e d'utilizzo e le avvertenze per la sicurezza.

L'installazione e l'utilizzo errati del prodotto esimono RCF S.p.A. da ogni responsabilità.

AVVERTENZE PER LA SICUREZZA

NOTA: secondo la norma EN 54-16, i microfoni per annunci d'emergenza devono essere accessibili solo da persone che hanno responsabilità in materia di sicurezza e sono formate ed autorizzate ad operare nelle condizioni di inattività, allarme vocale, avviso di guasto e disabilitazione.

1. Tutte le avvertenze, in particolare quelle relative alla sicurezza, devono essere lette con particolare attenzione, in quanto contengono importanti informazioni.
2. Prima di accendere le apparecchiature, assicurarsi che tutte le connessioni siano corrette.
Non collegare / scollegare la base microfonica quando il sistema è acceso.
3. Accertarsi che il cavo della base microfonica non possa essere calpestato o schiacciato da oggetti, al fine di salvaguardarne l'integrità.
4. Non immergere la base microfonica nell'acqua (od in altri liquidi), non lanciarla o lasciarla cadere.
5. Non eseguire sulla base microfonica interventi / modifiche / riparazioni; contattare i centri di assistenza autorizzati nel caso che non funzioni correttamente.
6. Nel caso che dalla base microfonica provengano stranamente odori anomali od addirittura fumo, spegnere immediatamente il sistema audio e scollegarla.
7. **RCF S.p.A.** raccomanda vivamente che l'installazione del sistema audio sia eseguita solamente da installatori professionali qualificati (oppure da ditte specializzate) in grado di farla correttamente e certificarla in accordo con le normative vigenti. Tutto il sistema audio dovrà essere in conformità con le norme e le leggi vigenti in materia di impianti elettrici.
8. I fattori meccanici ed elettrici sono da considerare quando si installa un sistema audio professionale (oltre a quelli prettamente acustici, come la pressione sonora, gli angoli di copertura, la risposta in frequenza, ecc.).
9. Non puntare la base microfonica verso un diffusore acustico vicino, onde evitare un possibile innesco.

IMPORTANTE

10. Perdita dell'udito

L'esposizione ad elevati livelli sonori può provocare la perdita permanente dell'udito. Il livello di pressione acustica pericolosa per l'udito varia sensibilmente da persona a persona e dipende dalla durata dell'esposizione. Per evitare un'esposizione potenzialmente pericolosa ad elevati livelli di pressione acustica, è necessario che chiunque sia sottoposto a tali livelli utilizzi delle adeguate protezioni; quando si fa funzionare un trasduttore in grado di produrre elevati livelli sonori, è necessario indossare dei tappi per orecchie o delle cuffie protettive.

11. Per evitare che fenomeni induttivi diano luogo a ronzii, disturbi e compromettano il buon funzionamento dell'impianto, il cavo della base microfonica non deve essere canalizzato insieme ai conduttori dell'energia elettrica e/o alle linee dei diffusori acustici.

12. Collocare la base microfonica lontano da fiamme (o fonti di calore eccessivo).

13. Non usare solventi, alcool, benzina o altre sostanze volatili per la pulitura delle parti esterne, ma un panno asciutto.

RCF S.P.A. VI RINGRAZIA PER L'ACQUISTO DI QUESTO PRODOTTO, REALIZZATO IN MODO DA GARANTIRNE L'AFFIDABILITÀ E PRESTAZIONI ELEVATE.

DESCRIZIONE



BM 3804 è una base microfonica, esclusivamente dedicata per il sistema RCF DXT 3000, che può essere collegata direttamente ad un'unità centrale MX 3250 / MX 3500 tramite un cavo antifiamma di tipo "J" (quattro coppie di conduttori); è possibile collegare in cascata (nella stessa linea) fino a quattro basi microfoniche BM 3804 (interbloccate tra loro).

Il suo pannello frontale include i seguenti tasti:

- DUE PER LA SELEZIONE DELLE PRIME DUE ZONE;
- UNO PER L'ATTIVAZIONE DEL MICROFONO (PTT, "PUSH TO TALK", "PREMERE PER PARLARE");
- UNO PER LA CHIAMATA GENERALE (GEN CALL) DEL SISTEMA;
- UNO PER L'ABILITAZIONE (O MENO) DEL TONO DI PREAVVISO PRIMA DI UN ANNUNCIO (CHIME);
- UNO PER LA SELEZIONE DEL MESSAGGIO D'EVACUAZIONE;
- UNO PER LA SELEZIONE DEL MESSAGGIO D'ALLERTA, TASTO CHE PERMETTE INOLTRE DI SILENZIARE IL CICALINO IN CASO DI SEGNALAZIONE DI UN GUASTO;
- UN TASTO PROTETTO BISTABILE (CON LUCE ROSSA) D'EMERGENZA, PER INVIO DEL MESSAGGIO D'EVACUAZIONE O D'ALLERTA IN TUTTE LE ZONE.

Sono presenti inoltre degli indicatori luminosi (LED) per lo stato del sistema.

Ogni base microfonica BM 3804 può essere espansa con una pulsantiera aggiuntiva BE 3806, la quale ha sei tasti per la selezione di tutte le sei zone di un'unità centrale MX 3250 / MX 3500 completa (con tre schede amplificatore). Se l'unità centrale è limitata a sole due o quattro zone, nella pulsantiera aggiuntiva BE 3806 si possono rimuovere i tasti inutilizzati e sostituire la targhetta con la serigrafia.

Se il sistema DXT 3000 è composto da più unità centrali MX 3250 / MX 3500 (fino ad un massimo di otto: un'unità principale "master" più sette secondarie "slave") collegate tra loro tramite schede "interlink" IE 3008, è possibile aggiungere ad ogni base microfonica BM 3804 fino ad otto pulsantiere BE 3806, una per ciascuna unità centrale presente e da controllare.

La prima base microfonica BM 3804 della linea può avere funzione d'emergenza ed è alimentata direttamente dall'unità centrale MX 3250 / MX 3500, mentre la seconda, la terza e la quarta necessitano di alimentatori esterni 24 V c.c. (500 mA, ad esempio, l'opzionale RCF AC AD 2405).

Altre caratteristiche:

- INVOLUCRO IN METALLO PRESSOFUSO;
- MICROFONO CARDIOIDE PREAMPLIFICATO DI ALTA QUALITÀ, CON FLESSIBILE DI LUNGHEZZA 445 mm;
- AUTODIAGNOSI COMPLETA (EN 54-16);
- CAVO DI COLLEGAMENTO INCLUSO (5 m, CON CONNETTORI RJ 45).

NOTA IMPORTANTE:

DATO CHE LA PRIMA BASE MICROFONICA HA FUNZIONE D'EMERGENZA, QUESTA DEVE ESSERE COLLOCATA IN LOCALI CON ACCESSO RISERVATO AL SOLO PERSONALE AUTORIZZATO.

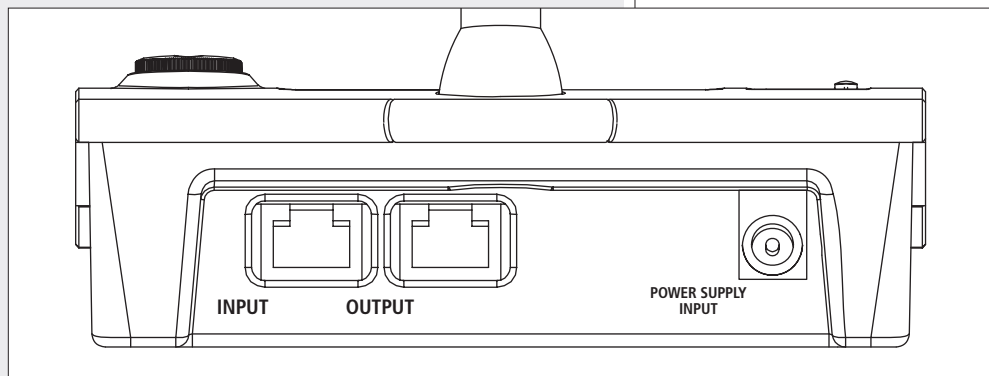
Il modello BM 3804FM è la versione per i vigili del fuoco, identica nel funzionamento alla base microfonica BM 3804, ma con le seguenti differenze:

- LA BASE MICROFONICA È PROTETTA ALL'INTERNO DI UNA CASSETTA METALLICA (DI COLORE ROSSO RAL 3000) CON VETRO ED INSTALLATA A PARETE;
- MICROFONO DINAMICO PALMARE CON TASTO DI ATTIVAZIONE (ANZICHÉ CAPSULA CON FLESSIBILE);
- IL TASTO DI ATTIVAZIONE DEL MICROFONO PALMARE HA LA STESSA FUNZIONE DEL TASTO PTT **3** DELLA BASE MICROFONICA BM 3804.

COLLEGAMENTO



BM 3804 – PANNELLO POSTERIORE

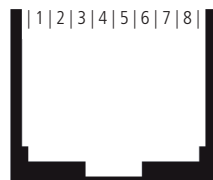


INPUT (ingresso): presa RJ 45 per il collegamento all'unità centrale **MX 3250 / MX 3500** oppure alla presa OUTPUT della base microfonica precedente.

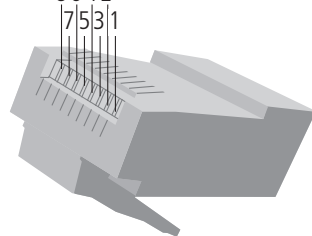
OUTPUT (uscita): presa RJ 45 per il collegamento alla porta INPUT della base microfonica successiva.

PIN	INPUT	PIN	OUTPUT
1	Segnale audio (+)	1	Segnale audio (+)
2	Segnale audio (-)	2	Segnale audio (-)
3	Alimentazione	3	(non usato)
4	Massa	4	Massa
5	Massa	5	Massa
6	Massa	6	(non usato)
7	RS 485 A (+)	7	RS 485 A (+)
8	RS 485 B (-)	8	RS 485 B (-)

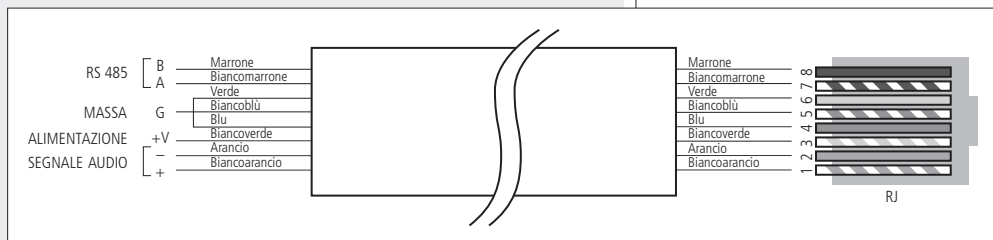
PRESA RJ 45



8642 CONNETTORE RJ 45



CAVO PER IL COLLEGAMENTO DELLA PRIMA BASE MICROFONICA BM 3804 ALL'UNITÀ CENTRALE MX 3250 / MX 3500



CORRISPONDENZA DEI CONDUTTORI TRA I CAVI CAT 5E E CJ 428E

PIN	DESCRIZIONE	CAT 5e - COLORE FILO	CJ 428e - COLORE FILO
1	Segnale audio (+)	Biancoarancio	Rosso
2	Segnale audio (-)	Arancio	Blu
3	Alimentazione	Biancoverde	Giallo
4	Massa	Blu	Marrone
5	Massa	Biancoblù	Verde
6	Massa	Verde	Grigio
7	RS 485 A (+)	Biancomarrone	Bianco
8	RS 485 B (-)	Marrone	Nero

POWER SUPPLY INPUT: ingresso per l'alimentatore esterno 24 V c.c. non incluso (min. 250 mA, es. RCF AC AD 2405 opzionale); rimuovere il passacavo svitando la sua vite.

Note:

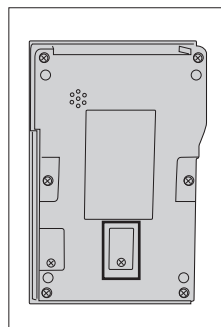
- LA PRIMA BASE MICROFONICA BM 3804 È DIRETTAMENTE ALIMENTATA DALL'UNITÀ CENTRALE MX 3250 / MX 3500 (L'ALIMENTATORE AC AD2405 NON È NECESSARIO); LA LUNGHEZZA MASSIMA DEL CAVO NON DEVE ECCEDERE GLI 800 METRI (UTILIZZARE CAVO RCF CJ 428E);
- LA SECONDA, LA TERZA E LA QUARTA BASE MICROFONICA BM 3804 NECESSITANO, CIASCUNA, DI UN ALIMENTATORE AC AD2405 (NON INCLUSO); LA LUNGHEZZA TOTALE COMPLESSIVA (CONSIDERANDO LA SOMMA DI TUTTI I CAVI) NON DEVE ECCEDERE GLI 800 METRI (UTILIZZARE CAVO CJ 428E).

BM 3804 – IMPOSTAZIONE DEI MICROINTERRUTTORI INTERNI

ATTENZIONE: L'IMPOSTAZIONE DEI MICROINTERRUTTORI INTERNI (DIP-SWITCH) DEVE ESSERE EFFETTUATA DIRETTAMENTE DA RCF OPPURE SOLO DA UN CENTRO D'ASSISTENZA AUTORIZZATO.

NOTA: QUALSIASI MODIFICA ALLE IMPOSTAZIONI DEVE ESSERE EFFETTUATA CON IL SISTEMA SPENTO (O CON LA BASE MICROFONICA SCOLLEGATA).

Sul retro della base microfonica BM 3804, rimuovere il pannello cieco centrale per accedere ai sei microinterruttori (dip-switch).



DIP-SWITCH	FUNZIONE	NOTE
1	INDIRIZZO DIGITALE (0)	Impostazione indirizzo digitale (vedere la tabella successiva).
2	INDIRIZZO DIGITALE (1)	Impostazione indirizzo digitale (vedere la tabella successiva).
3	INDIRIZZO DIGITALE (2)	Non utilizzato; lasciare su OFF .
4	EMERGENZA	Questa impostazione si applica alla sola prima base microfonica. Se impostato su ON , è possibile utilizzare la base microfonica per l'invio dei messaggi d'evacuazione (tasto EVAC 13) o d'allerta (tasto ALERT 7); se impostato su OFF , le funzioni d'emergenza sono disabilitate.
5	TEST	Funzione di servizio / manutenzione; lasciare su OFF .
6	---	Non utilizzato; lasciare su OFF .

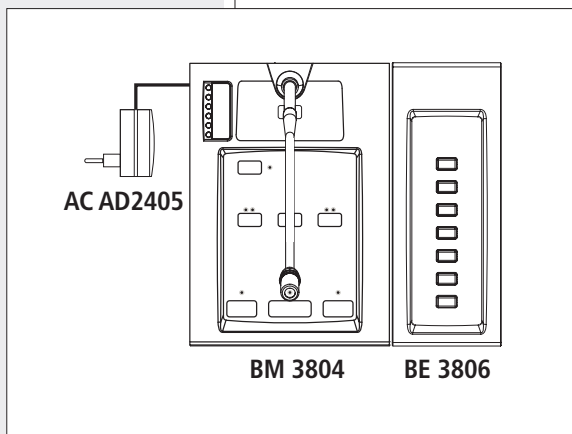
DIP 1	DIP 2	INDIRIZZO DIGITALE	NOTE
off	off	0	Prima base microfonica BM 3804
ON	off	1	Seconda base microfonica BM 3804
off	ON	2	Terza base microfonica BM 3804
ON	ON	3	Quarta base microfonica BM 3804

NOTA: DOPO AVER IMPOSTATO L'INDIRIZZO DIGITALE CORRETTO DI CIASCUNA BASE MICROFONICA BM 3804 E RIAVVIATO IL SISTEMA, OCCORRE SELEZIONARE (TRAMITE IL MENÙ DELL'UNITÀ CENTRALE MX 3250 / MX 3500) LA FUNZIONE **DISCOVERY** (RICONOSCIMENTO AUTOMATICO DI TUTTE LE BASI MICROFONICHE COLLEGATE AL SISTEMA).



PULSANTIERE ADDIZIONALI BE 3806

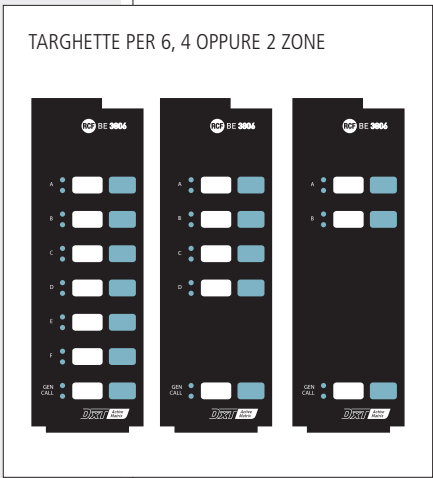
In un sistema DXT 3000 composto da una sola unità centrale MX 3250 / MX 3500, ogni base microfonica BM 3804 può essere espansa con una pulsantiera aggiuntiva BE 3806 avente sei tasti, i quali si usano per la selezione di ciascuna singola zona (da 1 a 6, se disponibili).



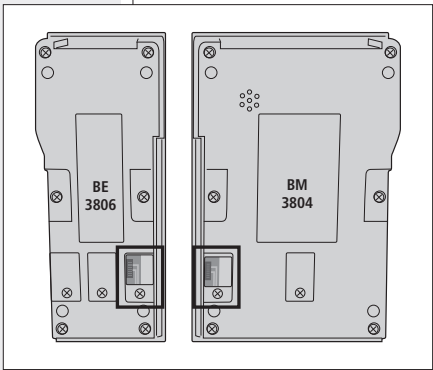
NOTE:

- LA PRIMA BASE MICROFONICA BM 3804 È DIRETTAMENTE ALIMENTATA DALL'UNITÀ CENTRALE MX 3250 / MX 3500 (L'ALIMENTATORE AC AD2405 NON È NECESSARIO); LA LUNGHEZZA MASSIMA DEL CAVO NON DEVE ECCEDERE GLI 800 METRI (UTILIZZARE CAVO RCF CJ 428E);
- LA SECONDA, LA TERZA E LA QUARTA BASE MICROFONICA BM 3804 NECESSITANO, CIASCUNA, DI UN ALIMENTATORE AC AD2405 (NON INCLUSO); LA LUNGHEZZA TOTALE COMPLESSIVA (CONSIDERANDO LA SOMMA DI TUTTI I CAVI) NON DEVE ECCEDERE GLI 800 METRI (UTILIZZARE CAVO CJ 428E);

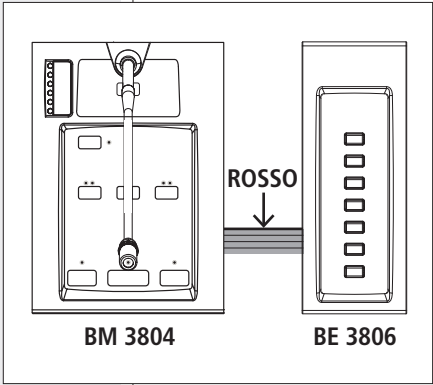
- SE L'UNITÀ CENTRALE È LIMITATA A SOLE DUE O QUATTRO ZONE, NELLA PULSANTIERA AGGIUNTIVA BE 3806 SI POSSONO RIMUOVERE I TASTI INUTILIZZATI E SOSTITUIRE LA TARGHETTA CON LA SERIGRAFIA (SONO IN DOTAZIONE LE TARGHETTE PER SOLE QUATTRO O DUE ZONE, MENTRE LA PULSANTIERA HA INIZIALMENTE QUELLA COMPLETA DA SEI ZONE).



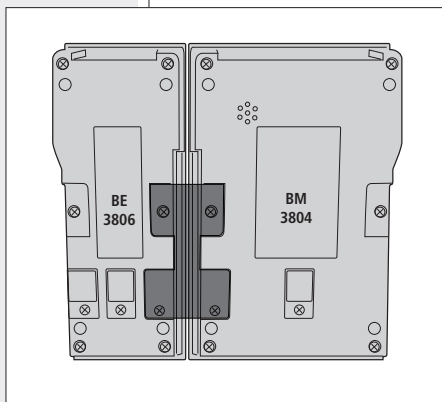
Rimuovere il pannello cieco destro (guardando il retro) della pulsantiera aggiuntiva BE 3806 ed il pannello cieco sinistro della base microfonica BM 3804.



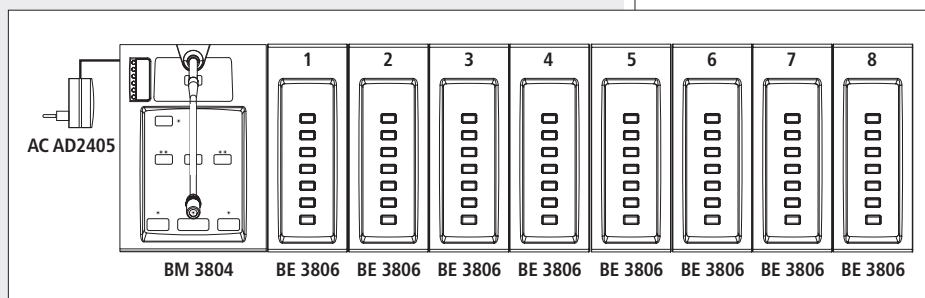
Collegare la pulsantiera aggiuntiva BE 3806 alla base microfonica BM 3804 tramite il cavetto dedicato ("flat cable") da fissare alle porte posteriori; prestare attenzione al verso corretto indicato dal filo rosso (vedere la figura successiva).



Fissare la pulsantiera addizionale BE 3806 alla base microfonica BM 3804 usando l'apposita piastrina (inclusa nell'imballo della pulsantiera BE 3806) e quattro viti.



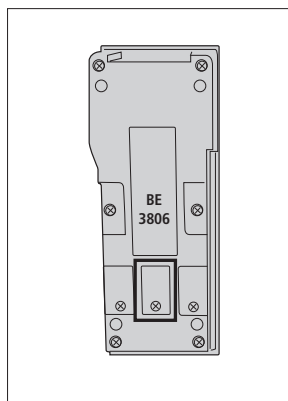
Se il sistema DXT 3000 è composto da più unità centrali MX 3250 / MX 3500 (fino ad un massimo di otto: un'unità principale "master" più sette secondarie "slave") collegate tra loro tramite schede "interlink" IE 3008, è possibile aggiungere ad ogni base microfonica BM 3804 fino ad otto pulsantiere BE 3806, una per ciascuna unità centrale presente e da controllare.



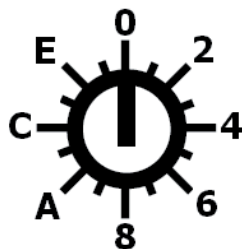
Ciascun tasto permette la selezione di una sola singola zona dell'unità centrale MX 3250 / MX 3500 controllata; non è possibile creare gruppi di zone.

In questo caso, ogni pulsantiera addizionale BE 3806 deve essere impostata con un indirizzo digitale univoco e corretto, a seconda dell'unità centrale MX 3250 / MX 3500 che deve essere controllata dalla stessa pulsantiera.

Rimuovere il pannello cieco centrale (sul retro) della pulsantiera addizionale BE 3806 ed impostare l'indirizzo digitale tra i valori 0 (prima unità centrale) e 7 (ultima unità centrale) ruotando il selettore.



numero MX 3250 MX 3500	indirizzo digitale BE 3806	numero MX 3250 MX 3500	indirizzo digitale BE 3806
1 (master)	0	5	4
2	1	6	5
3	2	7	6
4	3	8	7



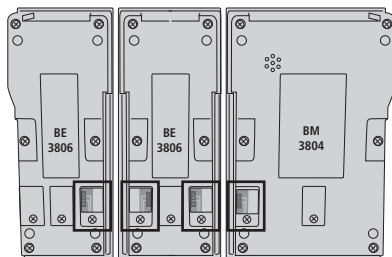
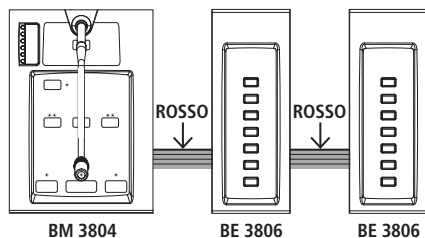
NOTA: QUALSIASI MODIFICA AGLI INDIRIZZI DIGITALI DEVE ESSERE EFFETTUATA CON IL SISTEMA SPENTO (O CON LA RISPETTIVA BASE MICROFONICA BM 3804 SCOLLEGATA).

AD UNA BASE MICROFONICA BM 3804, NON È STRETTAMENTE NECESSARIO COLLEGARE MOLTE PULSANTIERE AGGIUNTIVE SE NON SI DEVONO CONTROLLARE TUTTE LE UNITÀ CENTRALI MX 3250 / MX 3500 PRESENTI; AD ESEMPIO, LA SI PUÒ PREDISPORRE PER CONTROLLARE SOLO LE UNITÀ CENTRALI NR.1, NR.3 E NR. 6 (TRAMITE TRE PULSANTIERE BE 3806, RISPETTIVAMENTE CON INDIRIZZI DIGITALI 0, 2 E 5).

GLI INDIRIZZI DIGITALI DA 8 A F NON SONO UTILIZZATI.

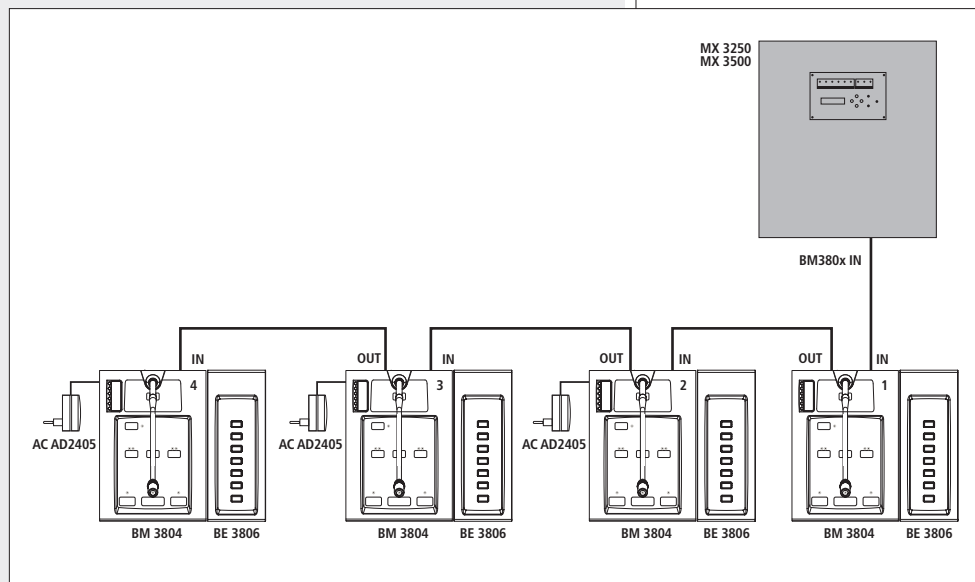


Collegare tutte le pulsantieri addizionali BE 3806 tra loro tramite i cavetti dedicati ("flat cable") da fissare alle porte posteriori (come per il collegamento alla base microfonica BM 3804); prestare attenzione al verso corretto indicato dal filo rosso (vedere le figure successive).





SISTEMA CON UNA SINGOLA UNITÀ CENTRALE MX 3250 / MX 3500

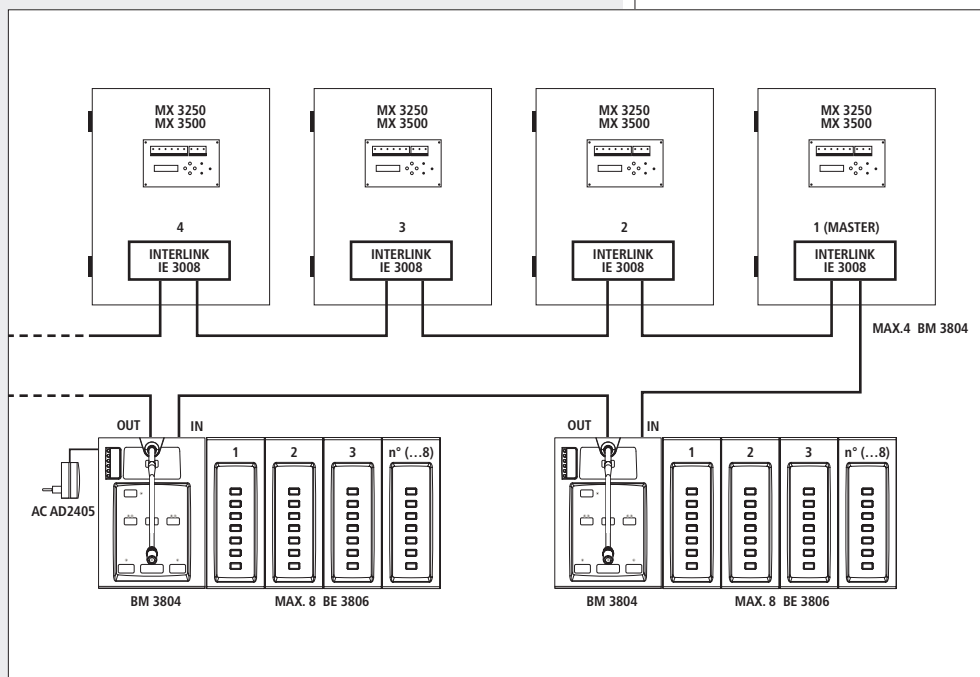


Si possono collegare (in cascata e condividendo la stessa linea) fino a quattro basi microfoniche BM 3804 (con o senza pulsantiere addizionali BE 3806) all'ingresso **BM380x** dell'unità centrale MX 3250 / MX 3500; le basi microfoniche BM 3804 sono interbloccate tra loro.

La seconda, la terza e la quarta base microfonica BM 3804 necessitano, ciascuna, di un alimentatore 24 V c.c. – 500 mA (non incluso, es. RCF AC AD2405).

La lunghezza totale complessiva (considerando la somma di tutti i cavi) non deve eccedere gli 800 metri (utilizzare cavo CJ 428E).

SISTEMA CON PIÙ UNITÀ CENTRALI MX 3250 / MX 3500 (MAX. 8)



Si possono collegare (in cascata e condividendo la stessa linea) fino a quattro basi microfoniche BM 3804 (con pulsantiere addizionali BE 3806) all'ingresso della scheda "interlink" IE 3008 della prima unità centrale ("master") MX 3250 / MX 3500; le basi microfoniche BM 3804 sono interbloccate tra loro.

1 Tasto **CHIME**: premere per abilitare o disabilitare il tono di preavviso ("chime") prima di un annuncio microfonico.

2 LED **CHIME** (verde): se acceso, il tono di preavviso (prima di un annuncio microfonico) è abilitato tramite il rispettivo tasto 1.

3 Tasto **PTT** ("Push To Talk"): premere e tener premuto per attivare il microfono nelle zone selezionate in precedenza.

4 LED **PTT** (verde): se acceso, il microfono è stato attivato tramite il rispettivo tasto 3.

5 Tasto **GEN CALL** (chiamata generale del sistema): premere per selezionare tutte le zone disponibili del sistema (premere di nuovo per cancellare la selezione).

6 LED **GEN CALL** (verde): se acceso, indica la selezione in corso della chiamata generale tramite il rispettivo tasto 5.

7 Tasto **ALERT / SILENCE**

Funzione **ALERT** (solo prima base microfonica): premere per attivare lo stato d'allerta (una seconda pressione cancella la selezione); il rispettivo messaggio sarà inviato nelle zone selezionate non appena sarà premuto il tasto d'emergenza 15.

Esempio: premere in successione i tasti **ZONE A** 9, **ALERT** 7 e quello d'emergenza 15 per inviare il messaggio d'allerta alla sola prima zona; premere in successione i tasti **GEN CALL** 5, **ALERT** 7 e quello d'emergenza 15 per inviare il messaggio d'allerta a tutte le zone del sistema.

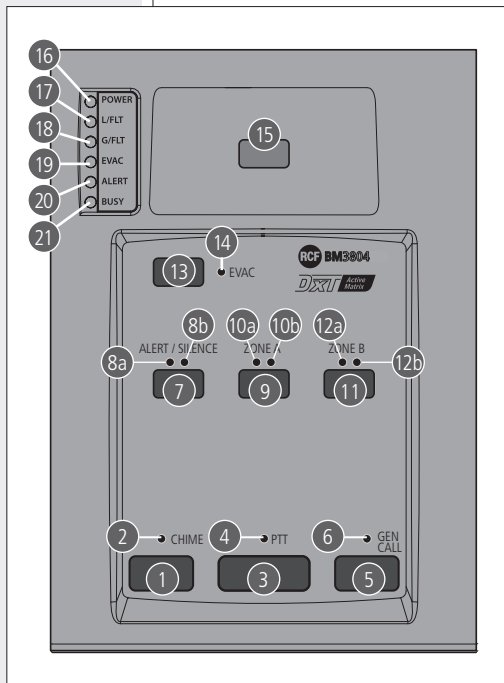
Durante la riproduzione del messaggio d'allerta, il tasto **ALERT / SILENCE**, se premuto una volta, permette di porre momentaneamente a zero (MUTE) il volume del messaggio (il quale non è fermato); una seconda pressione del tasto ripristina il livello impostato (UNMUTE).

IL MESSAGGIO D'EVACUAZIONE (SELEZIONABILE TRAMITE IL TASTO **EVAC** 13) È PRIORITARIO SU QUELLO D'ALLERTA.

Funzione **SILENCE**: quando è in corso una segnalazione di guasto locale, premere per silenziare il cicalino.

8a LED **ALERT** (verde): se acceso, indica la selezione dello stato d'allerta.

8b LED **SILENCE** (bianco): lampeggia quando è in corso una segnalazione di guasto.



- 9 Tasto **ZONE A**: premere per selezionare la prima zona del sistema (premere di nuovo per cancellare la selezione).
- 10a LED **ZONE A** (verde): quando acceso, indica la selezione della prima zona del sistema.
- 10b LED **ZONE A** (giallo / rosso):
 - QUANDO È ACCESSO GIALLO, LA PRIMA ZONA DEL SISTEMA È OCCUPATA;
 - QUANDO È ACCESSO ROSSO, È IN CORSO IL MESSAGGIO D'EVACUAZIONE O D'ALLERTA NELLA PRIMA ZONA DEL SISTEMA.
- 11 Tasto **ZONE B**: premere per selezionare la seconda zona del sistema (premere di nuovo per cancellare la selezione).
- 12a LED **ZONE B** (verde): quando acceso, indica la selezione della seconda zona del sistema.
- 12b LED **ZONE B** (giallo / rosso):
 - QUANDO È ACCESSO GIALLO, LA SECONDA ZONA DEL SISTEMA È OCCUPATA;
 - QUANDO È ACCESSO ROSSO, È IN CORSO IL MESSAGGIO D'EVACUAZIONE O D'ALLERTA NELLA SECONDA ZONA DEL SISTEMA.

13 Tasto **EVAC** (solo prima base microfonica): premere per attivare (una seconda pressione cancella la selezione) lo stato d'evacuazione; il rispettivo messaggio sarà inviato nelle zone selezionate non appena sarà premuto il tasto d'emergenza 15.

Esempio: premere in successione i tasti ZONE A 9, EVAC 13 e quello d'emergenza 15 per inviare il messaggio d'evacuazione alla sola prima zona del sistema; premere in successione i tasti GEN CALL 5, EVAC 13 e quello d'emergenza 15 per inviare il messaggio d'evacuazione a tutte le zone del sistema.

Durante la riproduzione del messaggio d'evacuazione, il tasto EVAC, se premuto una volta, permette di porre momentaneamente a zero (MUTE) il volume del messaggio (il quale non è fermato); una seconda pressione del tasto ripristina il livello impostato (UNMUTE).

IL MESSAGGIO D'EVACUAZIONE È PRIORITARIO SU QUELLO D'ALLERTA.

- 14 LED **EVAC** (rosso): se acceso, indica la selezione dello stato d'evacuazione.
- 15 Tasto protetto bistabile d'emergenza con luce rossa (si attiva nelle zone prescelte solo nella prima base microfonica con funzione d'emergenza): se premuto, si attiva nelle zone prescelte il messaggio d'evacuazione o d'allerta selezionato tramite i tasti **EVAC** 13 oppure **ALERT** 7.
- 16 ÷ 21 LED (INDICATORI LUMINOSI)



Nr.	SERIGRAFIA	COLORE	INDICAZIONE (CON LED ACCESSO)
16	POWER	verde	La base microfonica è alimentata correttamente e funzionante.
17	L/FLT	giallo	Guasto rilevato nella base microfonica.
18	G/FLT	giallo	Uno o più guasti sono presenti nel sistema.
19	EVAC	rosso	Messaggio d'evacuazione in corso.
20	ALERT	rosso	Messaggio d'allerta in corso.
21	BUSY	giallo	La linea è occupata.



22 Tasto: premere per selezionare la rispettiva zona (A-F) della **soia** (od unica) unità centrale MX 3250 / MX 3500 controllata (premere di nuovo per cancellare la selezione).

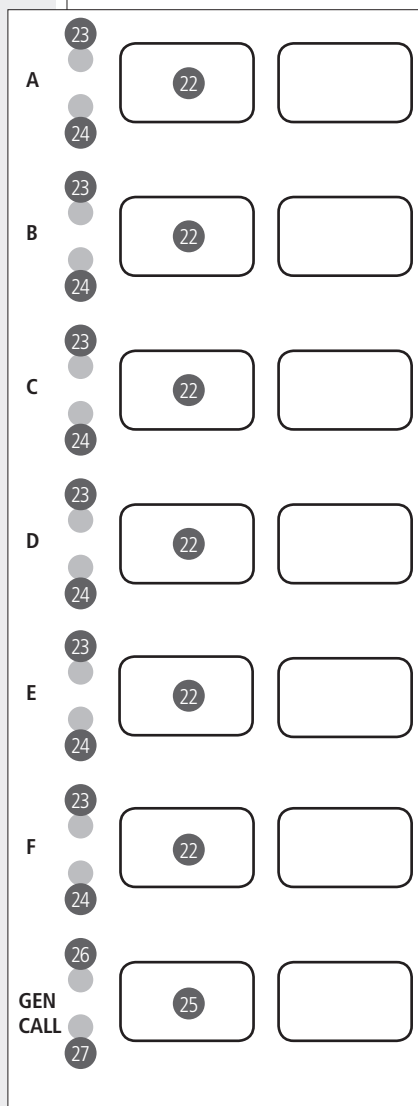
23 LED (verde): quando acceso, indica la selezione della rispettiva zona (A-F, associata al tasto).

24 LED (giallo / rosso): quando è acceso giallo, la rispettiva zona (A-F) è occupata; se acceso rosso, è in corso il messaggio d'evacuazione o d'allerta (nella rispettiva zona A-F).

25 Tasto **GEN CALL**: premere per selezionare **tutte le zone** della **soia** (od unica) unità centrale MX 3250 / MX 3500 controllata (premere di nuovo per cancellare la selezione).

26 LED (verde): quando acceso, indica la selezione di **tutte le zone** della **soia** (od unica) unità centrale MX 3250 / MX 3500 controllata.

27 LED (giallo / rosso): quando è acceso giallo, **tutte le zone** della **soia** (od unica) unità centrale MX 3250 / MX 3500 controllata sono occupate; se acceso rosso, è in corso il messaggio d'evacuazione o d'allerta.





Prima di utilizzare la base microfonica, scegliere inoltre se attivare (o meno) il tono di preavviso premendo il tasto CHIME **1**.

CHIAMATA SELETTIVA O GENERALE

1. Assicurarsi che la linea non sia già occupata (LED di zona accesi gialli o rossi **10b** **12b** **24**).
2. Selezionare una o più zone premendo i rispettivi tasti della base microfonica BM 3804 **9** **11** oppure delle pulsantiere BE 3806 (se presenti) **22**; si accendono i corrispondenti LED verdi **10a** **12a** / **23**. Una successiva pressione di un tasto deseleziona la rispettiva zona.
Per effettuare una chiamata generale relativa ad una sola o più unità centrali MX 3250 / MX 3500, premere uno o più tasti GEN CALL **25** delle rispettive pulsantiere BE 3806 (i LED **26** si illuminano).
Per effettuare una chiamata generale su tutte le zone del sistema, premere invece il tasto GEN CALL **5** della base microfonica BM 3804 (il rispettivo LED **6** si illumina).
3. Premere e tener premuto il tasto PTT **3** per effettuare l'annuncio microfonico (il LED PTT **4** si accende).
4. Al termine dell'annuncio microfonico, rilasciare il tasto PTT **3**.

ATTIVAZIONE DELLO STATO D'EVACUAZIONE O D'ALLERTA E RIPRODUZIONE DEL RISPETTIVO MESSAGGIO

DEVE ESSERE ABILITATA LA FUNZIONE D'EMERGENZA DELLA PRIMA BASE MICROFONICA BM 3804 UTILIZZATA (MICROINTERRUTTORE NR.4 INTERNO IMPOSTATO SU ON).



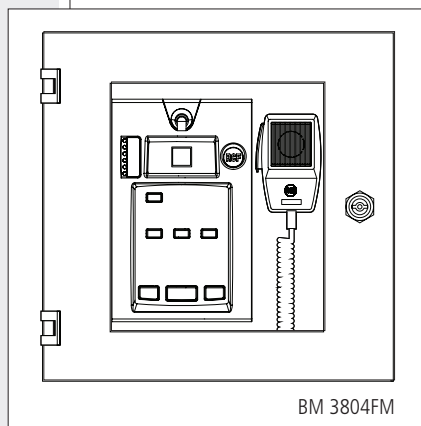
1. Selezionare ciascuna singola zona oppure premere il tasto GEN CALL **5** per tutte le zone del sistema (od uno o più tasti GEN CALL **25** delle pulsantiere BE 3806).
2. Selezionare lo stato d'evacuazione (premendo il tasto EVAC **13**) oppure quello d'allerta (tasto ALERT **7**).
3. Sollevare la protezione e premere il tasto rosso d'emergenza **15** per avviare la riproduzione del messaggio selezionato (tutti i LED di zona sono accesi rossi **10b** **12b** **24**).
4. Per fermare il messaggio, disattivare (in quest'ordine):
 - a) tutti i tasti delle zone oppure i tasti GEN CALL precedentemente attivati;
 - b) poi il tasto EVAC o ALERT;
 - c) infine rilasciare il tasto rosso d'emergenza e richiudere la sua protezione.

BM 3804FM – CONSOLE D'EMERGENZA PER VIGILI DEL FUOCO



Il modello BM 3804FM è la versione per i vigili del fuoco, identica nel funzionamento alla base microfonica BM 3804 descritta in precedenza, ma con le seguenti differenze:

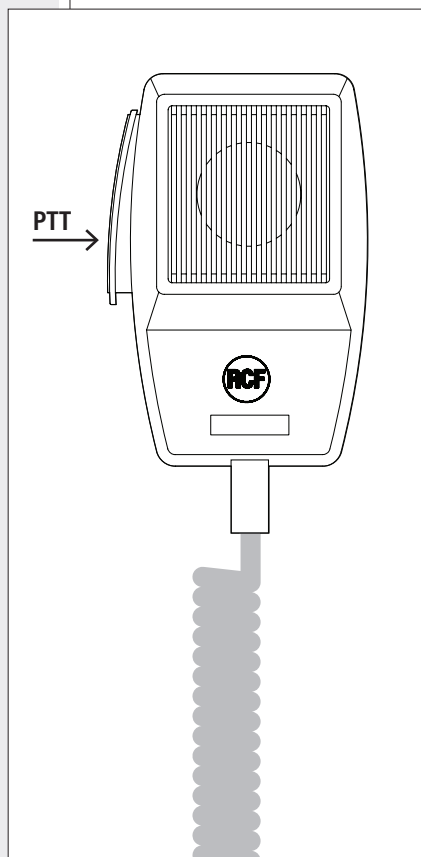
- LA BASE MICROFONICA È PROTETTA ALL'INTERNO DI UNA CASSETTA METALLICA (DI COLORE ROSSO RAL 3000) CON VETRO ED INSTALLATA A PARETE;
- È PRESENTE MICROFONO DINAMICO PALMARE CON TASTO DI ATTIVAZIONE (ANZICHÉ UNA CAPSULA MICROFONICA SU FLESSIBILE);
- IL TASTO DI ATTIVAZIONE DEL MICROFONO PALMARE HA LA STESSA FUNZIONE DEL TASTO PTT **3** DELLA BASE MICROFONICA BM 3804.



Essendo la postazione dei vigili del fuoco, è quindi da adibire alla funzione d'emergenza e deve essere collegata come prima della linea, posta in un locale con accesso riservato al solo personale autorizzato.

La cassetta deve essere installata a parete in un ambiente chiuso, all'interno di un'area protetta non soggetta a condizioni che possano compromettere le prestazioni della base microfonica, ad esempio: umidità, salsedine, infiltrazioni d'acqua, temperature estreme, possibilità di urti, ecc. . È consigliabile posizionarla ad un'altezza dal pavimento che la renda facilmente accessibile.

Verificare inoltre l'idoneità della parete e dei componenti utilizzati per il fissaggio (tasselli e viti non forniti da RCF) che devono garantire la sicurezza del sistema nel tempo, anche considerando, ad esempio, vibrazioni meccaniche normalmente generate da un trasduttore.



ANCHE IL MODELLO BM 3804FM PER VIGILI DEL FUOCO PUÒ ESSERE IMPLEMENTATO DI UNA PULSANTIERA ADDIZIONALE BE 3806; LA RICHIESTA PUÒ ESSERE INDICATA PREVENTIVAMENTE NELL'ORDINE OPPURE LA MODIFICA PUÒ ESSERE EFFETTUATA SUCCESSIVAMENTE SOLO DA PERSONALE RCF AUTORIZZATO.



**BM 3804**

Tipo microfono:	elettrete
Direttività:	cardioide
Impedenza d'uscita:	470 Ω (1 kHz)
Sensibilità microfono:	- 65 dB \pm 3 dB (0 dB=1V/ μ bar, 1 kHz)
Risposta in frequenza:	50 Hz \div 18 kHz (- 3 dB)
Alimentazione:	24 V c.c. (MX 3250 / MX 3500 oppure alimentatore esterno RCF AC AD2405)
Dimensioni:	128 x 39 x 203 mm (senza flessibile)
Lunghezza flessibile:	445,5 mm
Peso netto:	1,2 kg

BE 3806

Alimentazione:	tramite base microfonica BM 3804
Dimensioni:	78 mm x 39 mm x 203 mm
Peso netto:	0,7 kg

BM 3804FM

Tipo microfono:	dinamico
Direttività:	omnidirezionale
Impedenza d'uscita:	500 Ω \pm 30% (1 kHz)
Sensibilità microfono:	- 70 dB \pm 3 dB (0 dB=1V/ μ bar, 1 kHz)
Risposta in frequenza:	300 Hz \div 6 kHz (- 3 dB)
Alimentazione:	24 V c.c. (MX 3250 / MX 3500)
Dimensioni cassetta:	360 x 360 x 129 mm
Peso netto:	6,9 kg



0068

RCF S.p.A. - Via Raffaello Sanzio 13, 42124 Reggio Emilia, ITALY

15

0068-CPR-007/2015

EN 54-16:2008

Voice alarm control and indicating equipment for fire detection and fire alarm systems for buildings

EN 54-4:1997 + A1:2002 + A2:2006

Power supply equipment for fire detection and fire alarm systems for buildings

DXT 3000

Provided options (EN 54-16:2008)

- 7.3 Audible warnings
- 7.6.2 Manual silencing of the voice alarm condition
- 7.7.2 Manual reset of the voice alarm condition
- 7.8 Output to fire alarm devices
- 7.9 Voice alarm condition output
- 8.3 Indication of faults related to the transmission path to the CIE
- 8.4 Indication of faults related to voice alarm zones
- 10 Voice alarm manual control
- 12 Emergency microphone(s)
- 13.14 Redundant power amplifiers

DoP: 001_18

Other technical data: see operational manual.



Except possible errors and omissions.
RCF S.p.A. reserves the right to make modifications without prior notice.

Salvo eventuali errori ed omissioni.
RCF S.p.A. si riserva il diritto di apportare modifiche senza preavviso.

www.rcf.it

RCF S.p.A. Italy
Via Raffaello Sanzio, 13
42124 Reggio Emilia - Italy
Tel +39 0522 274 411
Fax +39 0522 232 428
e-mail: info@rcf.it